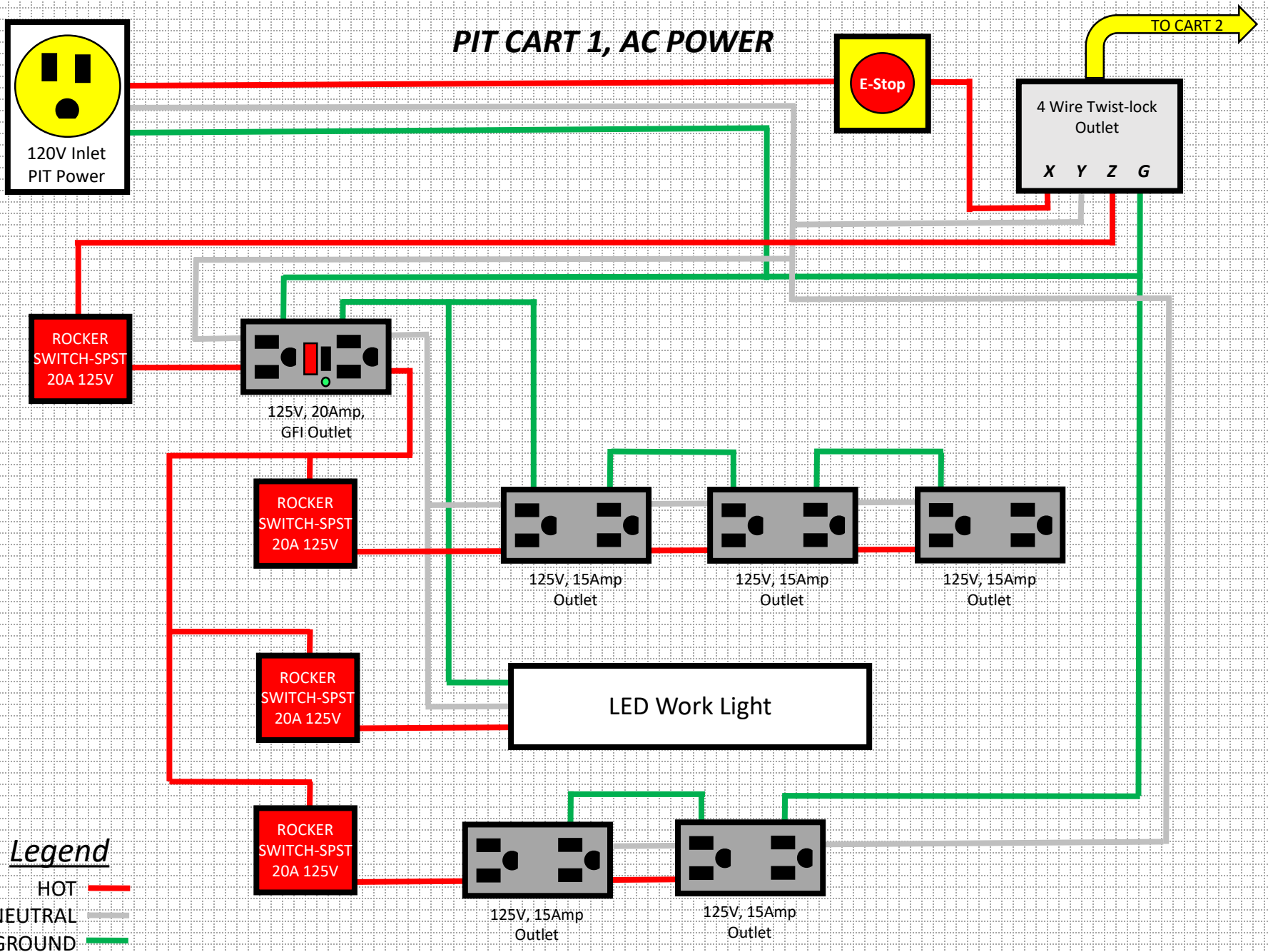
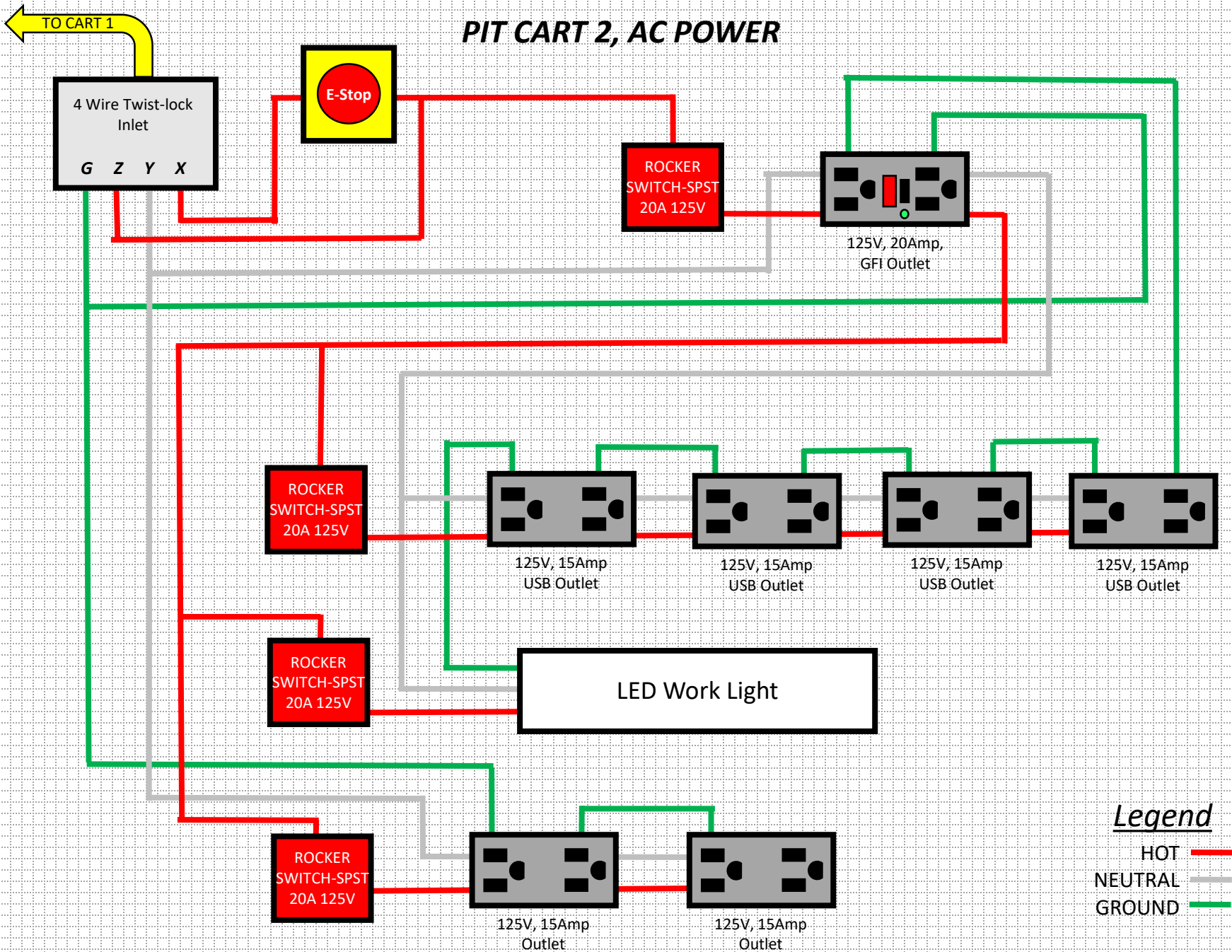


PIT CART 1, AC POWER



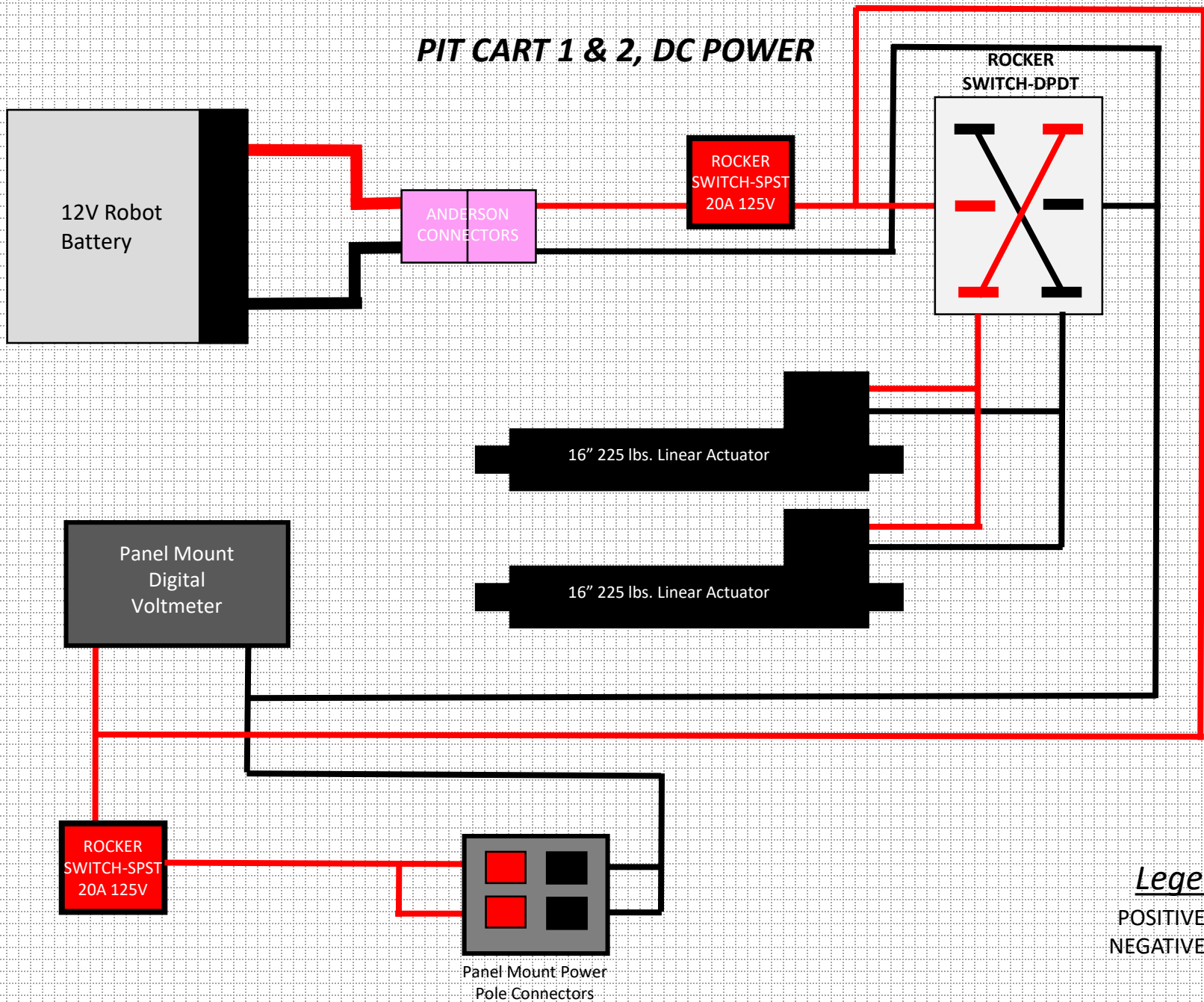
PIT CART 2, AC POWER



Legend

- HOT —
- NEUTRAL —
- GROUND —

PIT CART 1 & 2, DC POWER



Legend
POSITIVE — (red line)
NEGATIVE — (black line)

PIT CART 1 & 2, PNEUMATICS LAYOUT

